

two-piece, »FUTURA« series

Two-piece service units with excellent flow rates in modern design.
Lockable diaphragm pressure regulator with secondary ventilation, oil can be filled without interrupting operation.

Input pressure	1.5 - 16 bar
Temperature range	-10 °C to 50 °C
Medium	Compressed air, neutral gases
Housing	PA66 GF60
Connecting thread	Material: Die-cast zinc
Filter element	Cellpor (PE)
Filter rating	5 µm
Sight dome	PC
Sealant	NBR
Diaphragms	NBR
Flow rate measurement	At P ₁ = 10 bar, P ₂ = 6.3 bar and pressure drop Δ _p = 1 bar

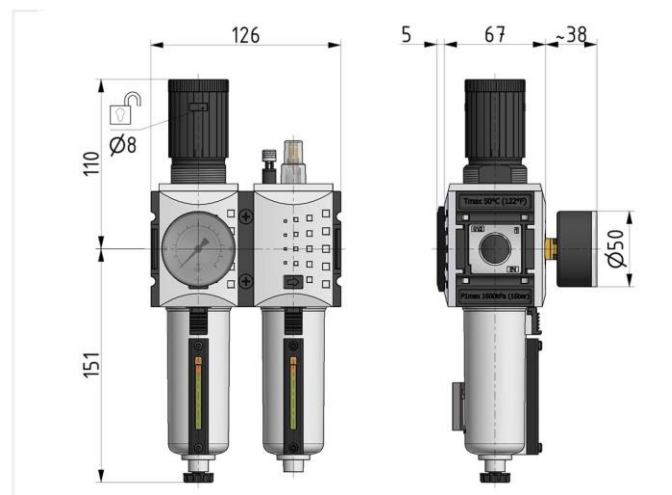
Service unit, 2-piece with metal bowl, sight glass and pressure gauge

Art. No.	Type No.	Thread	Size	Control range bar	Pressure gauge display bar	Flow rate l/min	Condensate drain
139556	FU 603-M-1	G 3/8	2	0.1 - 1	0 - 1.6	3500	Semi-automatic
139557	FU 603-M-2	G 3/8	2	0.1 - 2	0 - 2.5	3500	Semi-automatic
139558	FU 603-M-4	G 3/8	2	0.2 - 4	0 - 6	3500	Semi-automatic
139559	FU 603-M	G 3/8	2	0.5 - 8	0 - 10	3500	Semi-automatic
139560	FU 603-M-10	G 3/8	2	0.5 - 10	0 - 16	3500	Semi-automatic
139561	FU 603-M-16	G 3/8	2	0.5 - 16	0 - 25	3500	Semi-automatic
152430	FU 613-M-1	G 3/8	2	0.1 - 1	0 - 1.6	3500	Fully-automatic
152431	FU 613-M-2	G 3/8	2	0.1 - 2	0 - 2.5	3500	Fully-automatic
152432	FU 613-M-4	G 3/8	2	0.2 - 4	0 - 6	3500	Fully-automatic
152433	FU 613-M	G 3/8	2	0.5 - 8	0 - 10	3500	Fully-automatic
152434	FU 613-M-10	G 3/8	2	0.5 - 10	0 - 16	3500	Fully-automatic
152435	FU 613-M-16	G 3/8	2	0.5 - 16	0 - 25	3500	Fully-automatic

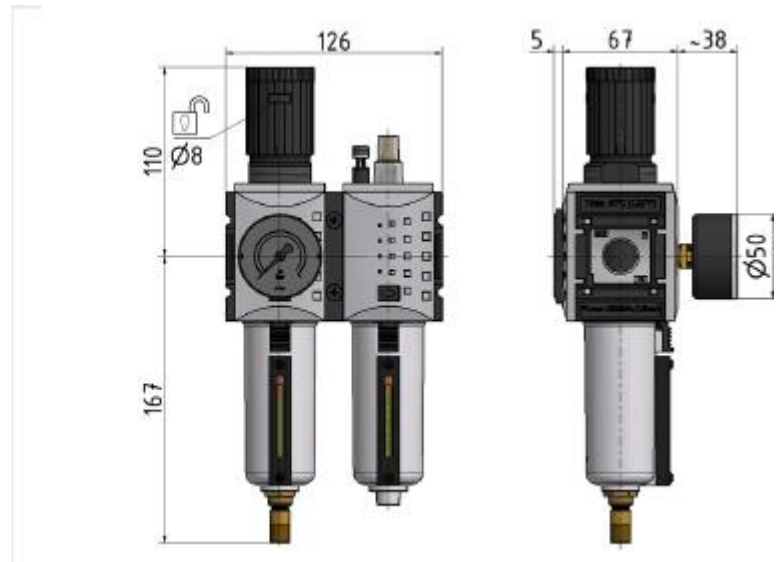
Accessories / spare parts

Art. No.	Type No.	Description
100043	H 852	Mounting bracket, incl. 2 screws
100044	WK 102	Wall bracket, incl. 2 screws
100045	KP 200	Joiner set, incl. 2 screws
100135	BSF 12	Polycarbonate bowl, incl. bowl guard
100215	BSL 12	Polycarbonate bowl, incl. bowl guard for oiler
100136	MF 12	Metal bowl, incl. sight glass
100216	ML 12	Metal bowl, incl. sight glass for oiler
100137	BSF 12-A	Polycarbonate bowl with automatic drain valve
100138	MF 12-A	Metal bowl, incl. sight glass, with automatic drain valve
100046	FU 33-55	Panel nut M42x1.5
100037	SS 32	Key lock
100331	WK 102-38	Wall bracket with connection thread G 3/8
100332	WK 102-12	Wall bracket with connection thread G 1/2
100333	WK 102-34	Wall bracket with connection thread G 3/4
152946	H 853	Mounting bracket with control panel nut M42x1.5
100139	844.6.905	Filter element 5 µm, cellpor
100214	901.7.990	Sight dome, polycarbonate
100047	22.7180.4	Seal kit for pressure regulator
100362	655.6.900	Automatic drain valve

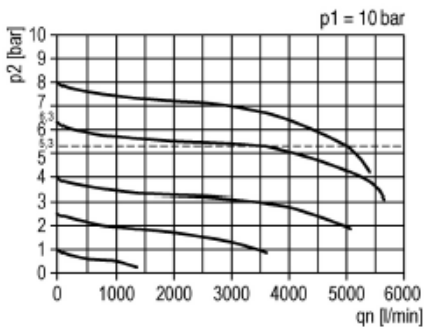
Semi-automatic:



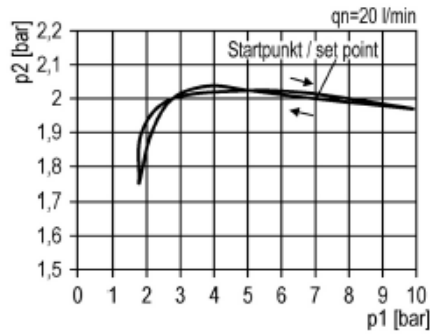
Fully-automatic:



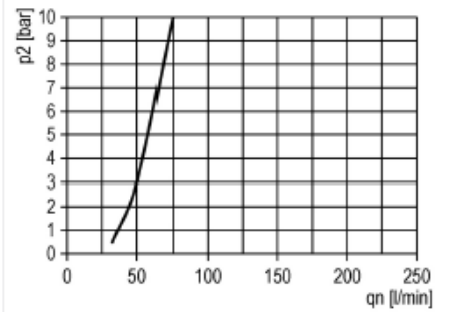
flow characteristic



pressure characteristic



lubricator operating limit



symbol

